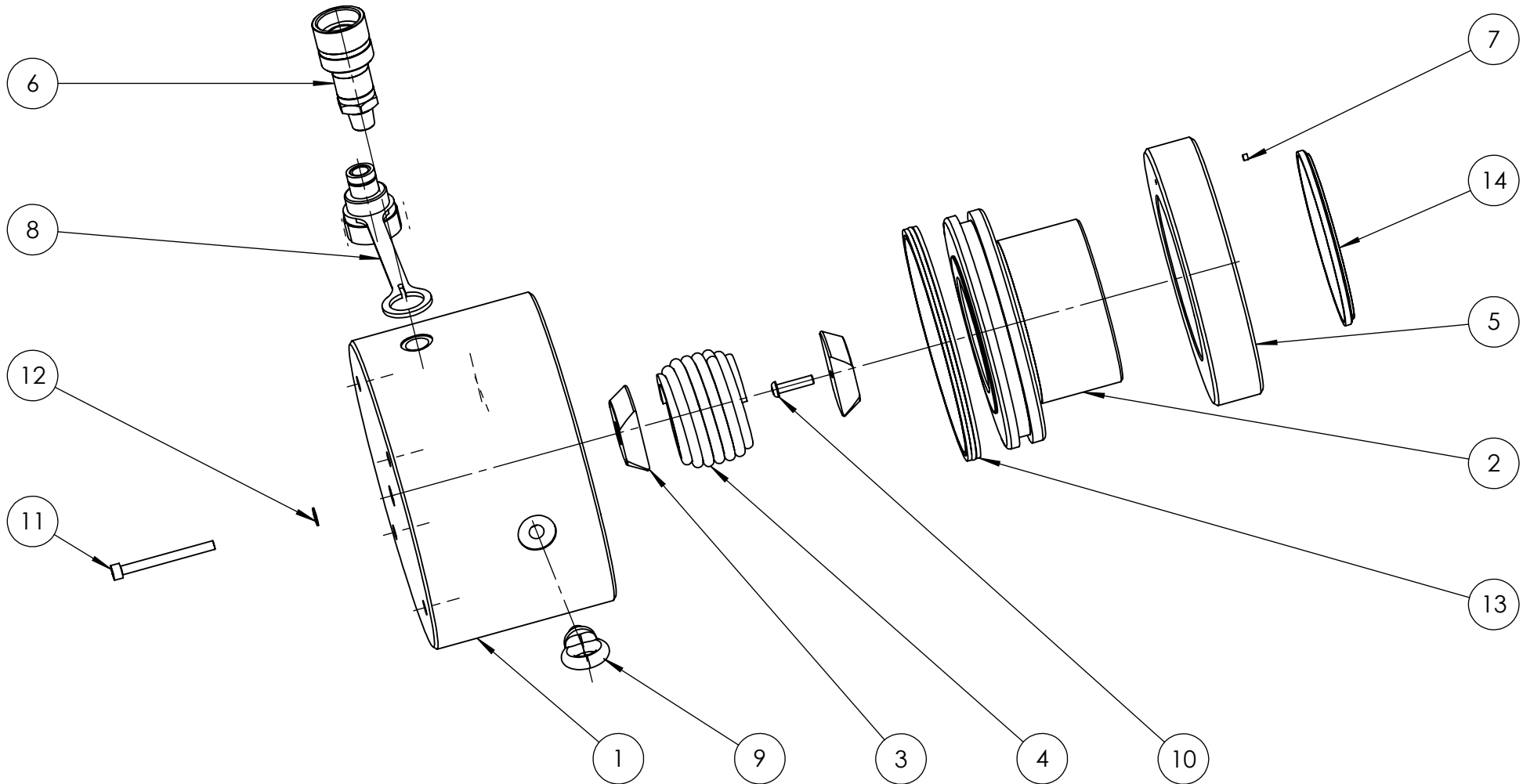


REVISION

1	
2	
3	3956
4	4021
<b>5</b>	<b>5885</b>
6	
7	
8	
9	
10	
11	
12	
13	
14	
15	
16	
17	
18	
19	
20	



**IMPORTANT**  
WHEN ORDERING SPARES YOU MUST STATE THE FULL PART NUMBER AND THE  
PRODUCT SERIAL NUMBER - FROM THE LABEL  
TO PROTECT YOUR WARRANTY ALWAYS USE GENUINE HI-FORCE PARTS.

REVISION

ITEM NO.	PART NUMBER	DESCRIPTION	QTY.	SPARE PART AVAILABILITY	SERVICE KIT CONTENTS
1	CBC162MB002	CYLINDER	1	x	
2	PRC162FB005	PISTON	1	x	
3	SIC037EC002	INSERT	2		
4	SPC077UD001	TENSION SPRING	1		
5	SRC114WQ004	STOP RING	1		
6	CF1	COUPLER	1		
7	FFC004RC001	FILTER	1		
8	PPC1	DUST COVER	1		
9	BS4278-M12	EYEBOLT	2		
10	BLC006JH025	M6 x 25mm HEX SOCKET BUTTON HEAD SCREW	1		
11	BLC006JD065	SOCKET CAP HD SCREW	1		
12	WAC006EB000	M6 WASHER	1	x	✓
13	SEC162GA001	PISTON SEAL	1	x	✓
14	SEC114XE004	WIPER	1	x	✓

1	
2	
3	3956
4	4021
5	5885
6	
7	
8	
9	
10	
11	
12	
13	
14	
15	
16	
17	
18	
19	
20	

ALL PARTS AVAILABLE TO ORDER AS AN INDIVIDUAL SPARE PART UNLESS MARKED "X"

PARTS MARKED ✓ ARE ONLY AVAILABLE IN SERVICE KIT HLS150TP2-K

**IMPORTANT**

WHEN ORDERING SPARES YOU MUST STATE THE FULL PART NUMBER AND THE PRODUCT SERIAL NUMBER - FROM THE LABEL TO PROTECT YOUR WARRANTY ALWAYS USE GENUINE HI-FORCE PARTS.