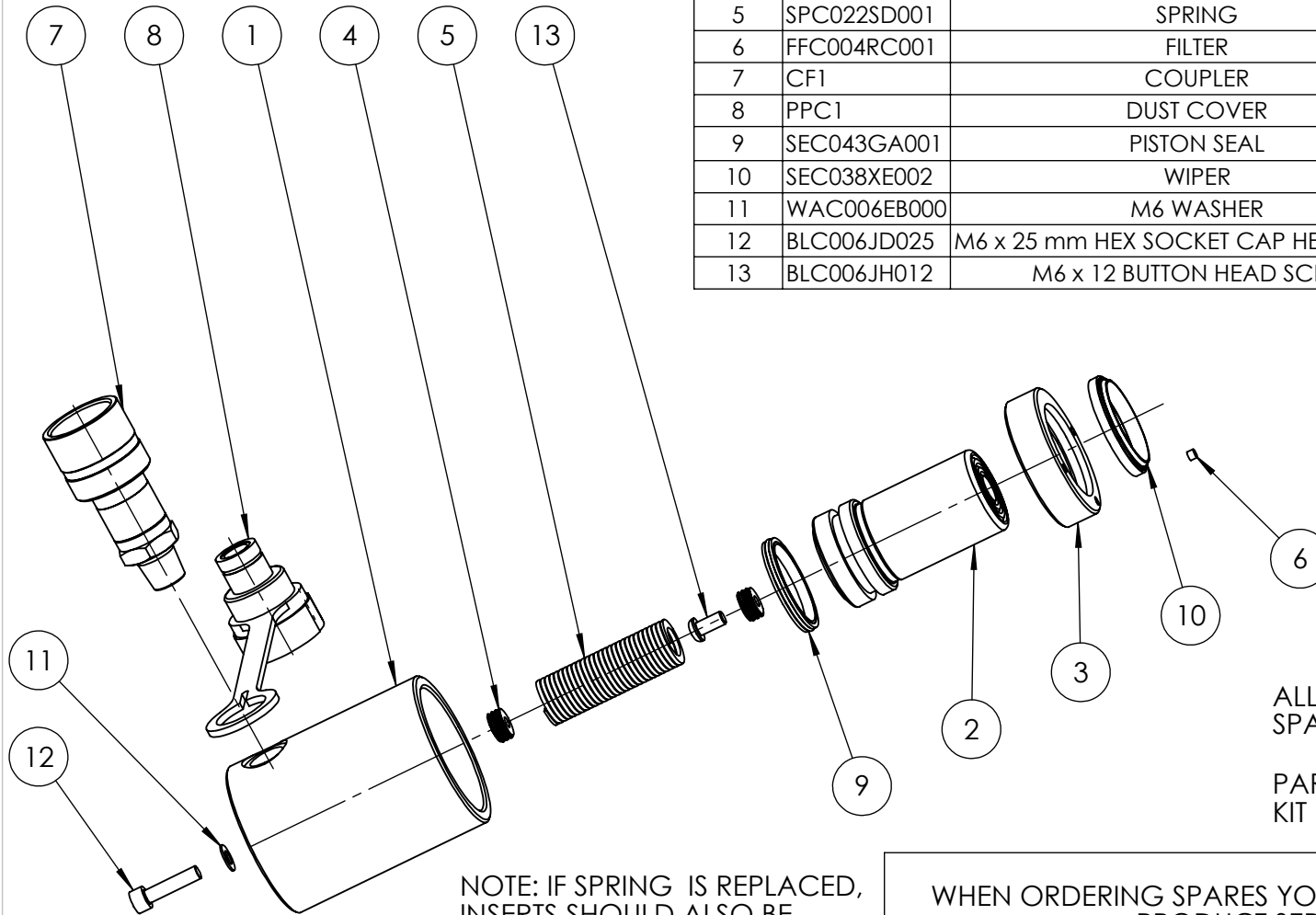


1	3956
2	3956
3	5885
4	
5	
6	
7	
8	
9	
10	
11	
12	
13	
14	
15	
16	
17	
18	
19	
20	

ITEM NO.	PART NUMBER	DESCRIPTION	QTY.	SPARE PART AVAILABILITY	SERVICE KIT CONTENTS
1	CBC043LC002	CYLINDER	1	X	
2	PRC043FC002	PISTON	1	X	
3	SRC038SE004	STOP RING	1		
4	SIC013TB001	INSERT	2		
5	SPC022SD001	SPRING	1		
6	FFC004RC001	FILTER	1		
7	CF1	COUPLER	1		
8	PPC1	DUST COVER	1		
9	SEC043GA001	PISTON SEAL	1	X	✓
10	SEC038XE002	WIPER	1	X	✓
11	WAC006EB000	M6 WASHER	1	X	✓
12	BLC006JD025	M6 x 25 mm HEX SOCKET CAP HEAD SCREW	1		
13	BLC006JH012	M6 x 12 BUTTON HEAD SCREW	1		



NOTE: IF SPRING IS REPLACED,  
INSERTS SHOULD ALSO BE  
REPLACED

ALL PARTS AVAILABLE TO ORDER AS AN INDIVIDUAL  
SPARE PART UNLESS MARKED "X"

PARTS MARKED ✓ ARE ONLY AVAILABLE IN SERVICE  
KIT HLS10TP2-K

**IMPORTANT**

WHEN ORDERING SPARES YOU MUST STATE THE FULL PART NUMBER AND THE  
PRODUCT SERIAL NUMBER - FROM THE LABEL  
TO PROTECT YOUR WARRANTY ALWAYS USE GENUINE HI-FORCE PARTS.