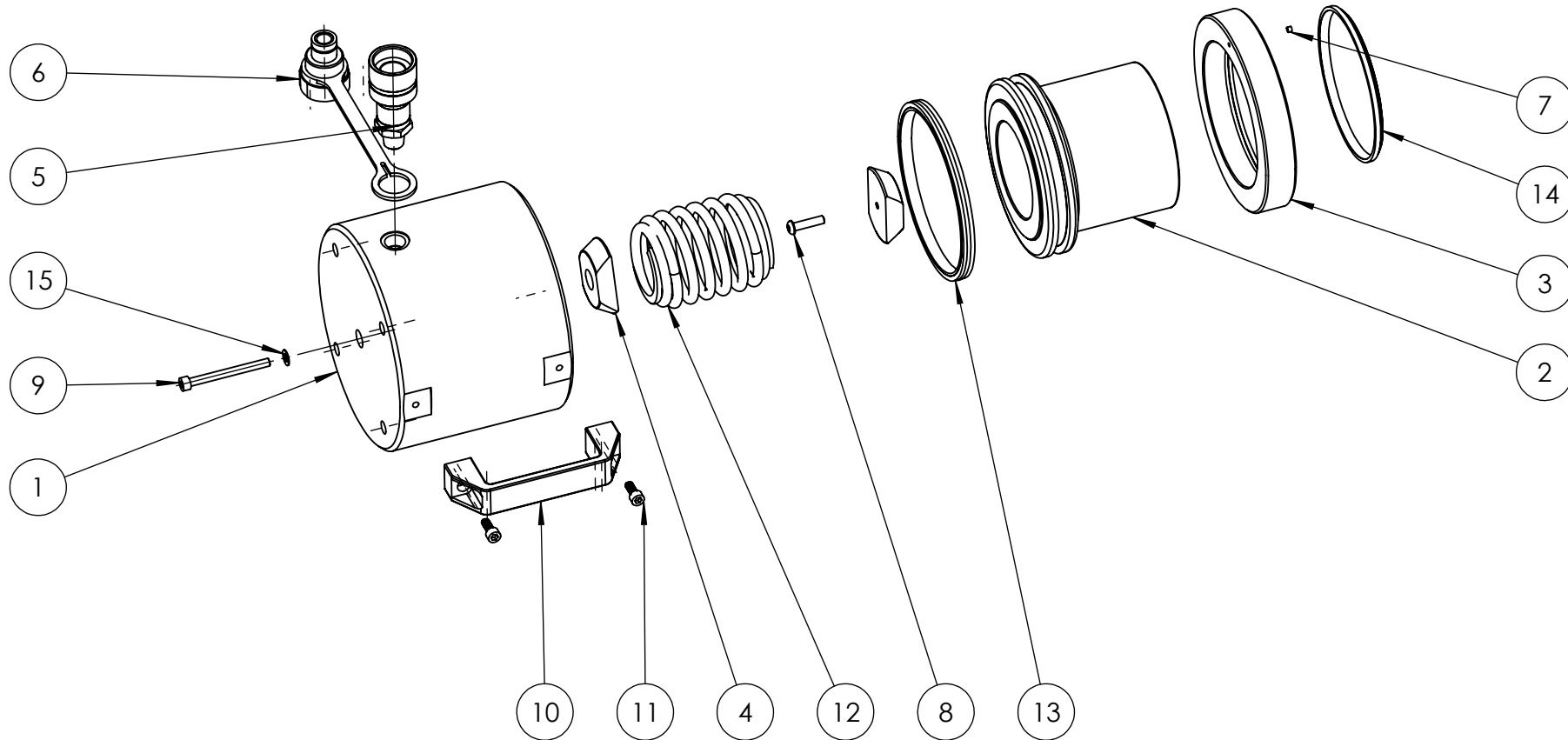


REVISION

1	
2	
3	3956
4	5885
5	
6	
7	
8	
9	
10	
11	
12	
13	
14	
15	
16	
17	
18	
19	
20	



**IMPORTANT**  
WHEN ORDERING SPARES YOU MUST STATE THE FULL PART NUMBER AND THE  
PRODUCT SERIAL NUMBER - FROM THE LABEL  
TO PROTECT YOUR WARRANTY ALWAYS USE GENUINE HI-FORCE PARTS.

ITEM NO.	PART NUMBER	DESCRIPTION	QTY.	SPARE PART AVAILABILITY	SERVICE KIT CONTENTS
1	CBC140LD003	CYLINDER	1	x	
2	PRC140FD002	PISTON	1	x	
3	SRC114SM006	STOP RING	1		
4	SIC037EC002	INSERT	2		
5	CF1	COUPLER	1		
6	PPC1	DUST COVER	1		
7	FFC004RC001	FILTER	1		
8	BLC006JH025	M6 x 25mm HEX SOCKET BUTTON HEAD SCREW	1		
9	BLC006JD065	SOCKET CAP HD SCREW	1		
10	HLC065AL002	HANDLE	1		
11	BLC006JY014	STAINLESS STEEL M6 X 14 CAP HEAD	2		
12	SPC074UD002	TENSION SPRING	1		
13	SEC140GA001	PISTON SEAL	1	x	✓
14	SEC114XE004	WIPER	1	x	✓
15	WAC006EB000	M6 WASHER	1	x	✓

REVISION

1	
2	
3	3956
4	5885
5	
6	
7	
8	
9	
10	
11	
12	
13	
14	
15	
16	
17	
18	
19	
20	

ALL PARTS AVAILABLE TO ORDER AS AN INDIVIDUAL SPARE PART UNLESS MARKED "X"

PARTS MARKED ✓ ARE ONLY AVAILABLE IN SERVICE KIT HLS100TP2-K

NOTE: IF SPRING IS REPLACED, INSERTS SHOULD ALSO BE REPLACED.

**IMPORTANT**

WHEN ORDERING SPARES YOU MUST STATE THE FULL PART NUMBER AND THE PRODUCT SERIAL NUMBER - FROM THE LABEL TO PROTECT YOUR WARRANTY ALWAYS USE GENUINE HI-FORCE PARTS.