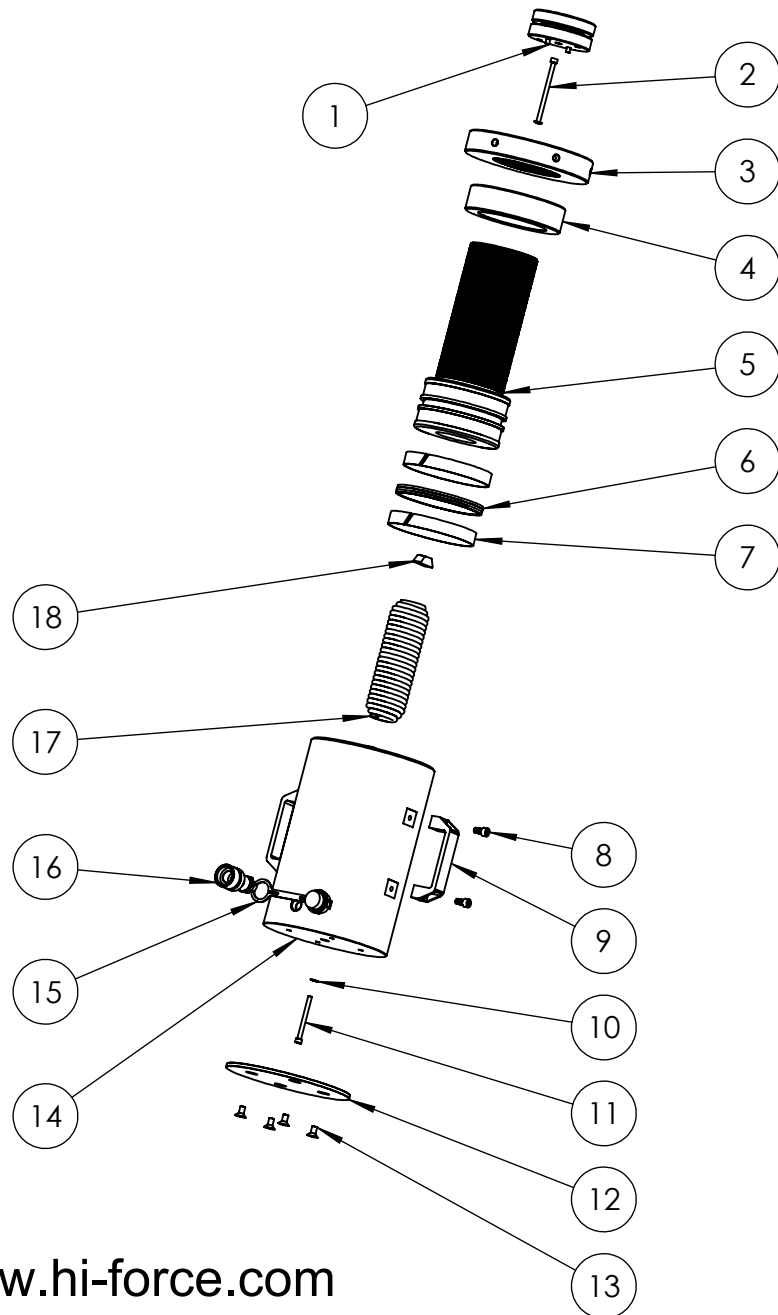


1	5523
2	5551
3	5793
4	
5	
6	
7	
8	
9	
10	
11	
12	
13	
14	
15	
16	
17	
18	
19	
20	



ITEM NO.	PART NUMBER	DESCRIPTION	QTY.	SERVICE PARTS
1	HAT100	HAT100	1	
2	BLC006JD100	SOCKET CAP HD SCREW	1	
3	SRC110LJ001	LOCK COLLAR	1	
4	SRC110PN001	STOP RING	1	
5	PRC140YH004	PISTON	1	
6	SEC140GA002	PISTON SEAL	1	✓
7	BSC140PD001	BEARING	2	✓
8	BLC008KY016	STAINLESS STEEL M8 X 16 CAP HEAD SCREW	4	
9	HLC065AL001	HANDLE	2	
10	WAC006EB000	M6 WASHER	2	
11	BLC006JD070	SOCKET CAP HD SCREW	1	
12	SFC202JC001	BASE PLATE	1	
13	BLC008KF016	M6x16 CK SCREW	4	
14	CBC140VH004	CYLINDER	1	
15	PPC1	DUST COVER	1	
16	CF1	COUPLER	1	
17	SPC063UG001	TENSION SPRING	1	
18	SIC015ED001	INSERT	2	

NOTE:

ITEMS MARKED ✓ FOUND IN HFA100TP1-K ONLY.

IMPORTANT

WHEN ORDERING SPARES YOU MUST STATE THE FULL PART NUMBER AND THE PRODUCT SERIAL NUMBER - FROM THE LABEL TO PROTECT YOUR WARRANTY ALWAYS USE GENUINE HI-FORCE PARTS.